

# Windows

## Standard

- ✓ Windows with a robust construction with aluminium frame and welded corners
- ✓ Outer frame powder-coated in RAL 9016 white (the coating can also be repainted)
- ✓ Glass frame powder-coated in RAL 9005 matt black
- ✓ Design with thermal separate and strong sealing
- ✓ Wall thicknesses of 45 – 90 mm (an additional frame is required for 45 to 60 mm); (is not included in the delivery)
- ✓ 1 or 2 compact, anodised aluminium window handles (depending on the window dimension: < 70 cm ▶ 1 handle, 1 gas spring)
- ✓ Lockable gas springs
- ✓ Tempered glass with ECE 43R road approval
- ✓ Insulation value of the standard glass panes (grey tinted) 2.9 W/m<sup>2</sup>/K
- ✓ Suitable for use at elevations of up to 6000 m above standard zero due to the pressure compensation valve

## Options

- ✓ Standard roller shutters in RAL 9016 white; alternatively, can also be delivered in RAL 7016 anthracite grey; price at request
- ✓ Cover plate as protection against vandalism



**Photo impression**



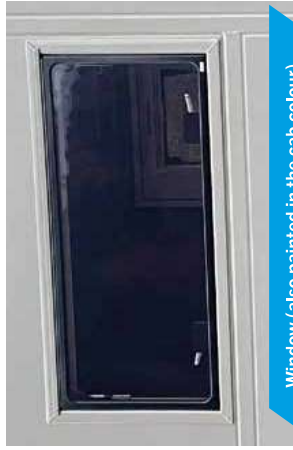
Maximum opening angle 88°



Outside window



Operation gas spring



Window (also painted in the cab colour)



Darkening (in RAL 9016 white)

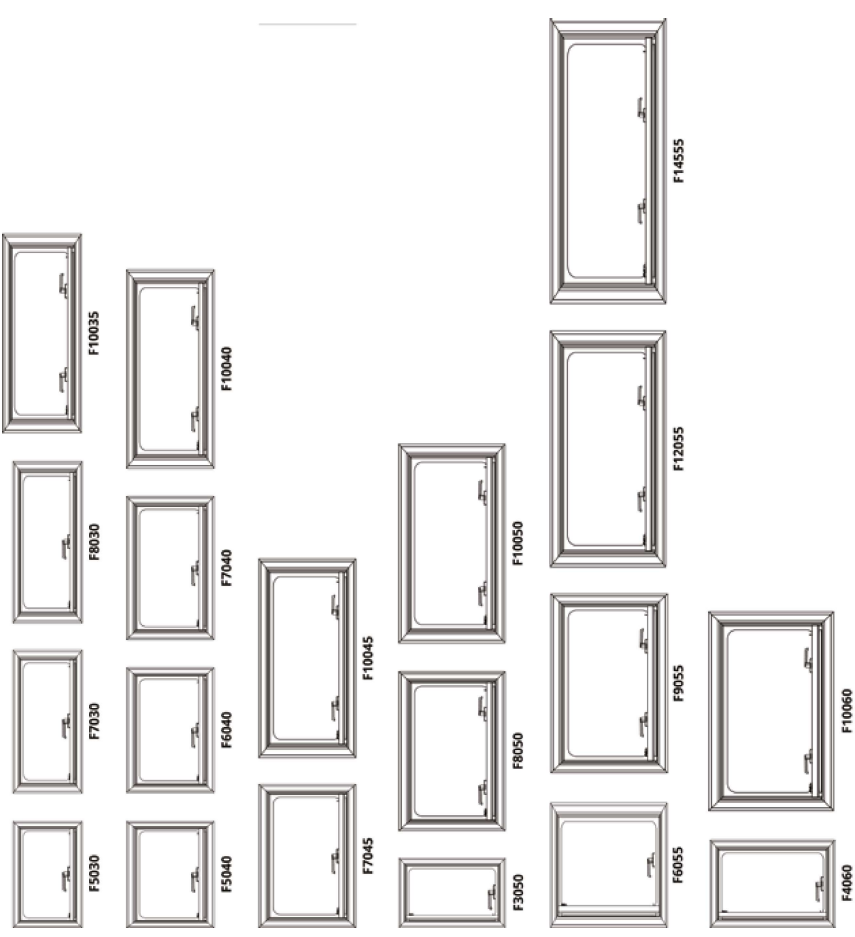


Window detail stainless steel rain gutter



Aluminium handles

**Window model overview**

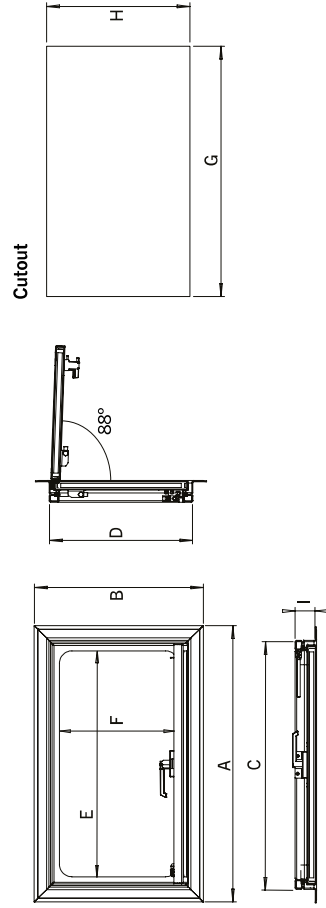
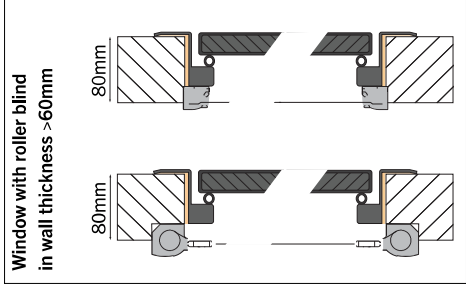
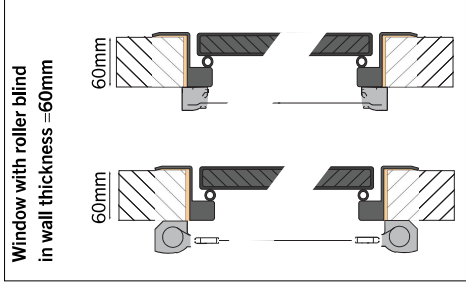
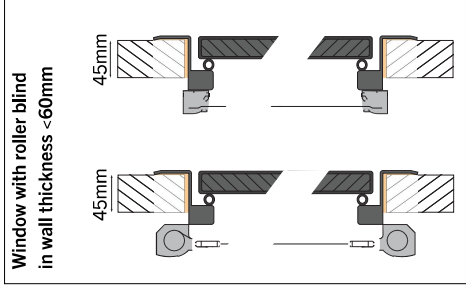


Optional anti vandalism cover plates

## Window dimensions

DESIGNATION	DIMENSION OUTER FRAME WINDOW		DIMENSION INSIDE		TRANSPARENT		CUTOUT		WEIGHT WINDOW	
	A Width mm	B Height mm	C Width mm	D Height mm	E Width mm	F Height mm	G Width mm	H Height mm		
<b>STANDARD WINDOW</b>										
F3050	373	573	296	496	234	434	305	505	58	7,4
F4060	473	673	396	596	334	534	405	605	58	10,0
F5030	573	373	496	296	434	234	505	305	58	7,5
F5040	573	473	496	396	434	334	505	405	58	7,6
F6040	673	473	596	396	534	334	605	405	58	11,0
F6055	673	623	596	546	534	484	605	555	58	11,8
F7030	773	373	696	296	634	234	705	305	58	11,0
F7040	773	473	696	396	634	334	705	405	58	12,7
F7045	773	523	696	446	634	384	705	455	58	14,4
F8030	873	373	796	296	734	234	805	305	58	13,0
F8050	873	573	796	496	734	434	805	505	58	20,3
F9055	973	623	896	546	834	484	905	555	58	19,2
F10035	1073	423	996	346	934	284	1005	355	58	16,5
F10040	1073	473	996	396	934	334	1005	405	58	17,0
F10045	1073	523	996	446	934	384	1005	455	58	14,9
F10050	1073	573	996	496	934	434	1005	505	59	15,0
F10060	1073	673	996	596	934	534	1005	605	58	17,9
F12055	1273	623	1196	546	1134	484	1205	555	58	21,2
F14555	1523	623	1446	546	1384	484	1455	555	58	25,6

## Window dimensions





## Double roller blinds



## Double roller blind dimensions

WINDOW	DESCRIPTION	ROLLER BLIND TYPE	WEIGHT	A	B
			kg	mm	mm
<b>ROLLER BLINDS FOR STANDARD WINDOWS with fly protection</b>					
F3050	Hard glass insulating windows B30 x H50cm	DR3050	1.65	315	570
F4060	Hard glass insulating windows B40 x H60cm	DR4060	2.55	415	670
F5030	Hard glass insulating windows B50 x H30cm	DR5030	1.75	515	370
F5040	Hard glass insulating windows B50 x H40cm	DR5040	2.05	515	470
F6040	Hard glass insulating windows B60 x H40cm	DR6040	2.85	615	470
F6055	Hard glass insulating windows B60 x H55cm	DR6055	3.25	615	620
F7030	Hard glass insulating windows B70 x H30cm	DR7030	1.97	715	370
F7040	Hard glass insulating windows B70 x H40cm	DR7040	2.62	715	470
F7045	Hard glass insulating windows B70 x H45cm	DR7045	2.79	715	520
F8030	Hard glass insulating windows B80 x H30cm	DR8030	2.8	815	370
F8050	Hard glass insulating windows B80 x H50cm	DR8050	3.0	815	570
F9055	Hard glass insulating windows B90 x H55cm	DR9055	3.3	915	620
F10035	Hard glass insulating windows B100 x H35cm	DR10035	3.54	1015	420
F10040	Hard glass insulating windows B100 x H40cm	DR10040	3.67	1015	470
F10045	Hard glass insulating windows B100 x H45cm	DR10045	3.67	1015	520
F10050	Hard glass insulating windows B100 x H50cm	DR10050	3.81	1015	570
F10060	Hard glass insulating windows B100 x H60cm	DR10060	4.57	1015	670
F12055	Hard glass insulating windows B120 x H55cm	DR12055	4.35	1215	620
F14555	Hard glass insulating windows B145 x H55cm	DR14555	5.25	1465	620

Roller blinds can also be supplied separately, determine dimensions A+B.

